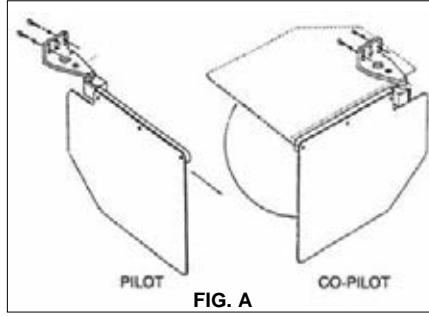


SUN VISORS

ROSEN SUN VISOR SYSTEM



Attention: Products noted in "Application Guide" with an (*) are sold in pairs.

Don't fly blind! Give yourself and your passengers that extra margin of safety. These are transparent sun visors which rotate and extend to offer complete cockpit protection from the sun. The oversize, tinted lens filters out 95% of the ultraviolet rays, reduces glare by 94% and heat by 86%. Distortion free. Fully STC'd and PMA'd. The system, which includes pilot and co-pilot visors, installs in minutes (exceptions: Cessna non-pressurized 210 requires 1-1/2 hours, Cessna 152 requires rivnut installation by an A&P).

| Aircraft | Part No. | Price |
|--|-----------|-------|
| BEECH - Bonanza/Baron, standard | 7568* | --- |
| Bonanza/Baron, 2- Axis replacement lens | 13-18718 | --- |
| Bonanza/Baron, 3rd Axis option | 7311* | --- |
| Duke | 7738* | --- |
| King Air | 13-01927* | --- |
| King Air 200 Monorail with visors (not for A200) | 13-12787 | --- |
| PIPER - Comanche, All models,standard | 7809* | --- |
| Comanche, Third Axis option | 7924* | --- |
| Aerostar Monorail System | 13-15027 | --- |
| Cheyenne Monorail system w/visors | 13-15028 | --- |
| Malibu Mirage Monorail System | 13-15030 | --- |
| Malibu Meridian Monorail System | 13-15031 | --- |
| Arapaho Comanche | 13-07454* | --- |
| Cherokee, Center mount | 13-01315* | --- |
| Cherokee, swivel stud | 13-01316* | --- |
| Seneca | 13-01317* | --- |
| CESSNA 1980 and later - 170's to 206's (except 177's) Center Mount | 7629* | --- |
| All 150's and 152's. Prior to 1980 - 170's - 206's (except 177's) Side Mount | 7006* | --- |
| Cessna 2- Axis replacement lens | 13-18343 | --- |
| 210's w/o air cond. (Older 210's, see above) | 7152* | --- |
| P210's and 210's w/air conditioning | 7426* | --- |
| 177's | 7582* | --- |
| T303 | 13-01928* | --- |
| 310s & 340s, special order to replace units with ball-joint cover style visor only (shown) | 7687* | --- |
| 337 | 13-01308* | --- |
| 320 | 13-01311* | --- |
| 350/400 | 13-06044* | --- |
| 400 | 13-01312* | --- |
| 400 Monorail with visors | 13-14937 | --- |
| 412B | 13-05180* | --- |
| Citation 500/501 Monorail with Visors SN>213/ | 13-14938 | --- |
| Citation 3rd Axis Visor Assy. | 13-14940* | --- |
| Citation III Monorail with visors | 13-14941 | --- |
| Mustang Monorail System | 13-14942 | --- |
| Mustang w/ 3rd Axis Visor Assy. | 13-15008 | --- |

| Aircraft | Part No. | Price |
|--|-----------|-------|
| GRUMMAN - Cheetah | 13-01313* | --- |
| RV-10 - Rosen Sun Visor Set - RV-10 | 13-05695* | --- |
| Rosen Sun Visor - Pilot Side | 13-05696 | --- |
| MAULE | 13-02471* | --- |
| Rockwell Commander 114 | 13-03328 | --- |
| OTHERS* | | |
| Cirrus SR20 / SR22 | 13-03258* | --- |
| Lancair IV | 13-01934* | --- |
| Aero Commander Monorail System w/ Visors | 13-14850 | --- |
| Aero Commander Replacement Lens Only | 13-14928* | --- |
| Aero Commander Visor Assy. Only | 13-14930* | --- |
| Bell 206 Jet Ranger Monorail w/ Visors | 13-14931 | --- |
| Bell 206 Long Ranger Monorail w/ Visors | 13-14932 | --- |
| Bell 206 Jet Ranger with AC Monorail System | 13-14933 | --- |
| Bell 222 Monorail System w/ Visors | 13-14934 | --- |
| BK117 Monorail System w/ Visors | 13-14935 | --- |
| BAC1/11 Monorail System w/ Visors | 13-14936 | --- |
| Challenger 600,601, 604 Monorail System w/ Visors | 13-15009 | --- |
| Challenger 600, 601, 604 Replacement Lens | 13-15010 | --- |
| Challenger 600, 601, 604 Visor Assy Only | 13-15011 | --- |
| Falcon 20 Monorail System w/ Visors | 13-15012 | --- |
| Falcon 50 200 Monorail System w/ Visors | 13-15016 | --- |
| Gulfstream I, II Monorail System w/ Visors | 13-15017 | --- |
| Gulfstream III Monorail System w/ Visors | 13-15018 | --- |
| Gulfstream IV Long Beach Monorail System w/ Visors | 13-15019 | --- |
| Gulfstream IV Savannah Monorail System w/ Visors | 13-15020 | --- |
| Gulfstream 200 Galaxy Monorail System w/ Visors | 13-15022 | --- |
| Hawker 700 Monorail System w/ Visors | 13-15023 | --- |
| Hawker 750, 800, 850, 800XP, 850XP, 900XP, 1000 Monorail | 13-15024 | --- |
| Lear 45 Monorail System w/ Visors Standard Size Lens | 13-15025 | --- |
| Lear 45 Monorail System w/ Visors Small Size Lens | 13-15026 | --- |
| Zenith 701/750 | 13-24064 | --- |
| Homebuilders Universal surface mount | 13-03175* | --- |
| Homebuilders Universal tube mount | 13-03176* | --- |

Homebuilders Universal systems are specific order & built to your specs

ROSEN THIRD AXIS UPDATE KIT: This update kit will fit any Rosen system that does not come standard with third axis option (Piper systems, for examples, come with third axis stanard)..... P/N 13-04014



ROSEN RED KNOB KIT
Red Knob Kit 99-701-KIT includes Red tensioning knob (99-701), spring (B-19679), and washer (90295A110).

Notes: Parts not sold separately, only as a kit. The kit is compatible with any of Rosen Sunvisor Systems' New Swinging Arm (NSA) systems. P/N 13-22304

ROSEN LSA ACCORDION SHADES



Rosen LSA Accordion Shades. **Specifications:** • Accordion Shade - Single 18"W X 21"L • Accordion Shade - Double - 30"W X 25"L
Single.....P/N 13-22938 Double P/N 13-22994