

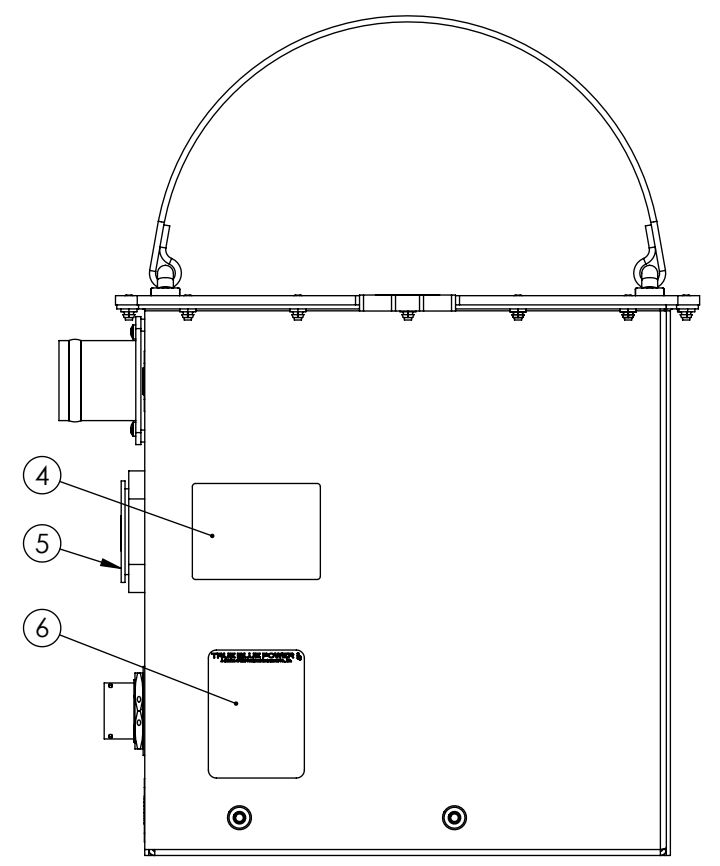
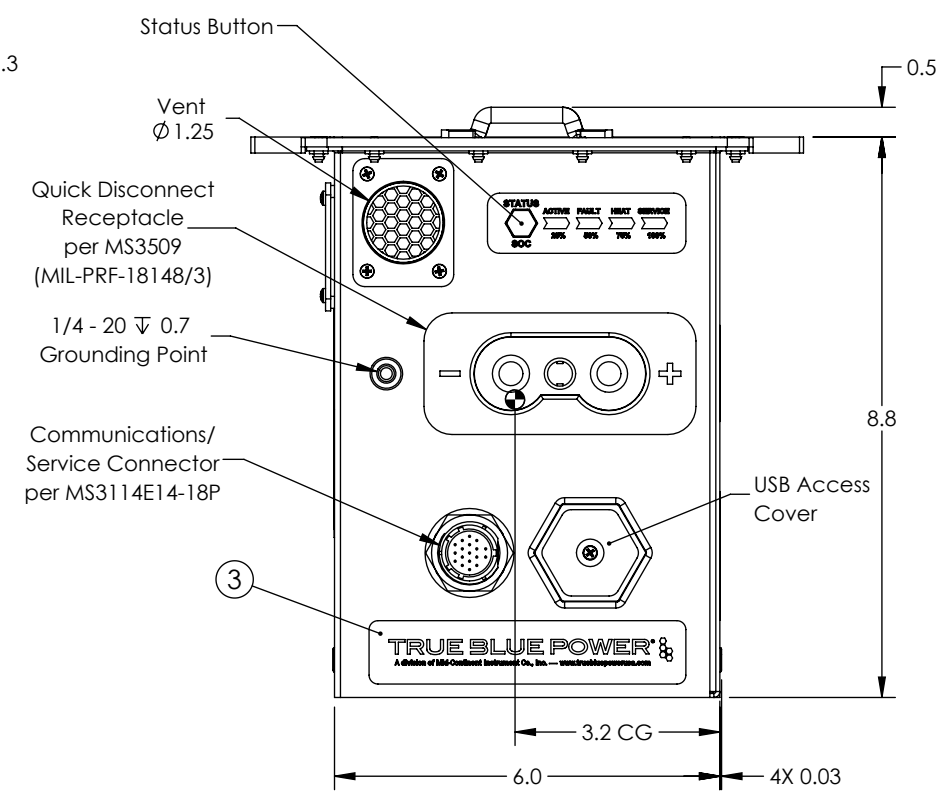
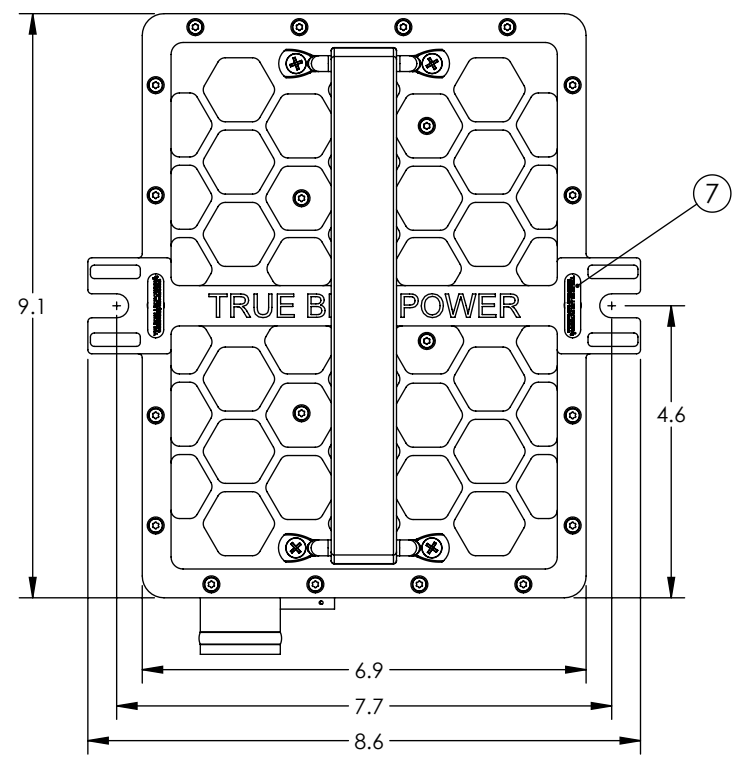
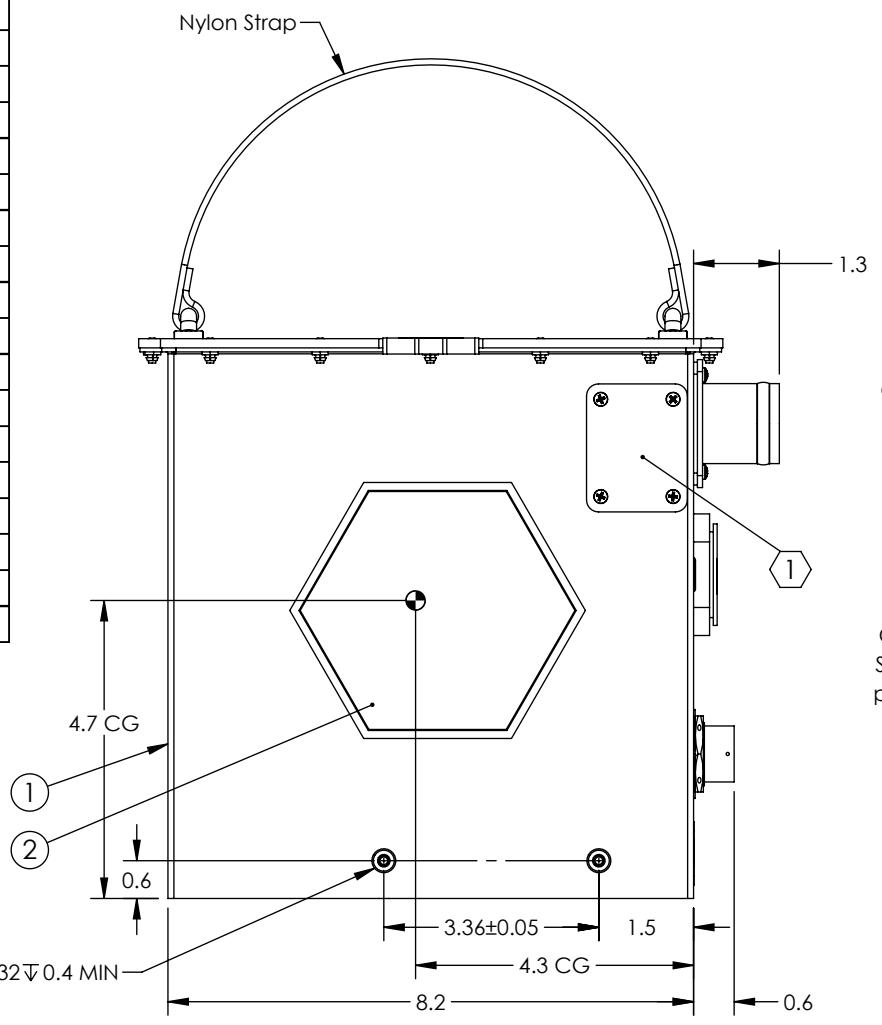
Configuration	
Dash #	
-1	As Shown

Revision				
ECO	Rev.	Description	Date	Approved
	A	Production release.	07/17/19	MKN/WVC
7312	B	Added dimensions for lower riv nuts. Added "Class A-4B" to TSO spec. Updated wording on Status Overlay.	11/20/20	MKN/MEK
7506	C	Updated dimension from 3.4 to 3.36, and pinout; added notes 2, 3, and grounding point depth.	06/27/22	VAA/MKN

Comm/Service	
PIN	Description
A	Analog SOC
B	Battery Disable Input
C	Heater Disable Input
D	RTD-1A
E	RTD-1B
F	RTD-2A
G	RTD-2B
H	ARINC 429 (A)
J	Service Discrete
K	Fault Discrete
L	Heating Discrete
M	SOC Insufficient Discrete
N	Analog Ground
P	Spare/BMS Ref (3)
R	Spare
S	ARINC Ground
T	Engine Start Unavailable Discrete
U	ARINC 429 (B)

Specifications	
Model Number	TB20
Power Input	28.8 VDC Nominal, 200 A Max
Power Output	26.4 VDC Nominal, 960 A Max
Rated Capacity	20 Ah @ 23 °C
Certification and Qualifications	FAA TSO-C179b, Class A-4B RTCA DO-311A RTCA DO-160G (See manual)
Weight	19.5 lbs
Install Manual	MCIAP/N 9019286

Note:
 1. Alternate location for vent.
 2. Do not use for mounting battery.
 3. BMS reference not applicable to -1 units.



Item	Qty	Part Number	Description
1	1	9019323-1	Assy, Li-Ion Battery, 20 Ah
2	1	9017444	Label, Safety
3	1	9017130-1	Label, True Blue Power
4	1	9019257-1	Label, Battery, Charge Reminder
5	1	9017439-1	Dust Cap, Quick Disconnect
6	1	9019113-1	Nameplate, LI Battery
7	2	6018956-1	Decal, Warranty

UNLESS OTHERWISE SPECIFIED, ALL DIMENSIONS ARE IN INCHES.
 TOLERANCE:
 .X=±0.065
 .XX=±0.015
 .XXX=±0.005
 .XXXX=±0.002
 ANGULAR=±0.5°
 WEIGHT N.T.E. +5%
 BREAK ALL SHARP EDGES
 THREADS PER MIL-S-7742

DRAWN:
MKN
08/07/2018

 APPROVED:
WVC
07/03/2019

This document discloses proprietary information of Mid-Continent Instrument Co., Inc. It may be reproduced or disclosed only with written permission of Mid-Continent Instrument Co., and is not to be used in any way detrimental to the interests of Mid-Continent Instrument Co., Inc.



TITLE:
Advanced Lithium-Ion Battery, 20 Ah
 PART NUMBER:
6430020
 SCALE: 1:3
 DO NOT SCALE THIS DRAWING
 SHEET: 1 of 1