



ENGINE VIBRATION ISOLATORS TYPE J-15198-1HA & J-15198-2HA

Hutchinson Aerospace designs and manufactures engine vibration isolation systems to meet the exacting standards of the aircraft industry. These systems are designed to reduce the magnitude of vibration transmitted from the propeller/powerplant to the airframe. Isolation provides: reduced pilot fatigue, passenger comfort, and maximum protection of the aircraft structure and systems from the damaging effects of vibration. To maintain maximum performance and protection from the isolation system, replacement is recommended at every engine overhaul.

Hutchinson Aerospace has been granted Parts Manufacturers Approval (PMA) for vibration isolation assembly type numbers J-15198-1HA & J-15198-2HA installed on the aircraft listed below. Each isolator consists of: two molded assemblies and a spacer. The spacer located between the two molded assemblies provides proper installation positioning and pre-compression.

APPLICATIONS

AIRCRAFT MANUFACTURER	POPULAR NAME	AIRCRAFT MODEL	ENGINE TYPE	ISOLATORS PER ENGINE	ISOLATORS PER AIRCRAFT
Cessna	Skywagon, AgCarryall	A185F	Continental IO-520-D	4X J-15198-1HA	4X J-15198-1HA
	AGwagon, AGtruck	A188B	Continental IO-520-D	2X J-15198-1HA 2X J-15198-2HA	2X J-15198-1HA 2X J-15198-2HA
	AGhusky	T188C	Continental TSIO-520-T	4X J-15198-1HA	4X J-15198-1HA
Acorn Welding Conversion	Cessna modified w/ SA01573NY	180C thru 180K	Continental O-470-L, -R, -S, or -U	2X J-15198-1HA 2X J-15198-2HA	2X J-15198-1HA 2X J-15198-2HA
		182, 182A thru 182R	Continental O-470-L, -R, -S, or -U	2X J-15198-1HA 2X J-15198-2HA	2X J-15198-1HA 2X J-15198-2HA
		185, 185A thru 185E	Continental IO-470-F	2X J-15198-1HA 2X J-15198-2HA	2X J-15198-1HA 2X J-15198-2HA
		A185E thru A185F	Continental IO-520-D	2X J-15198-1HA 2X J-15198-2HA	2X J-15198-1HA 2X J-15198-2HA

Hutchinson Aerospace vibration isolators are sold as assemblies. The illustrated parts breakdown and part number list are provided for reference only. For additional information, applications assistance, and technical support, please contact our customer service department.

APPLICATION SHEET



FAARE
PAIR S
TATIO



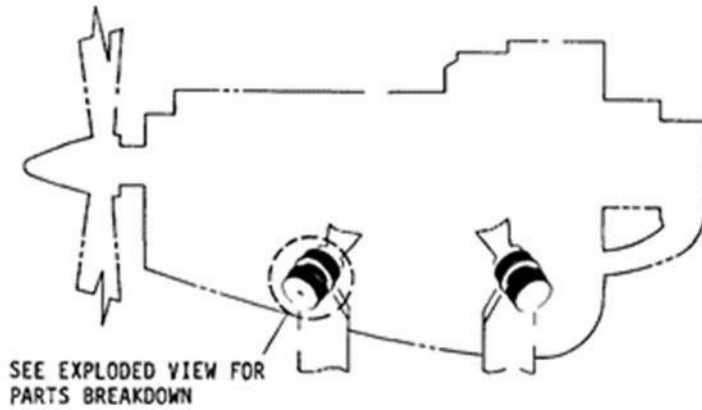
HUTCHINSON®

NUT3R905L

JAA JAR 145.10

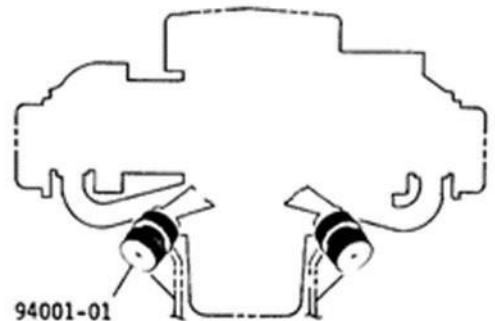
FAA-PMA PARTS MANUFACTURING APPROVED

J-15198-1HA



SEE EXPLODED VIEW FOR PARTS BREAKDOWN

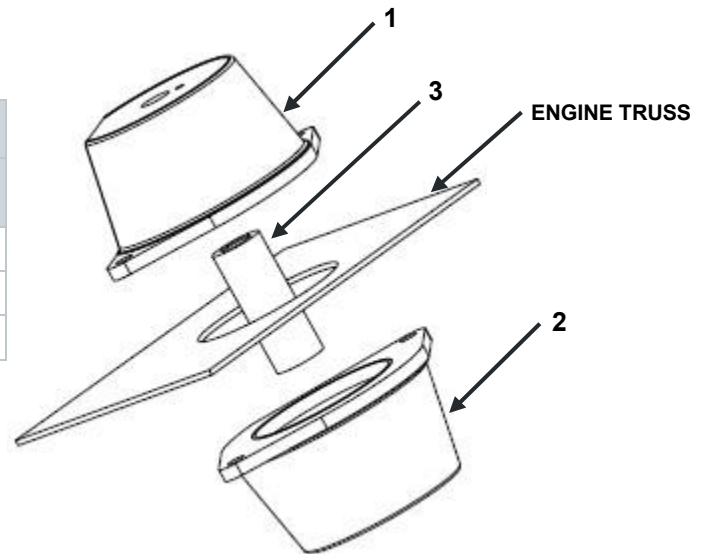
SIDE VIEW



94001-01
4 PLACES

VIEW LOOKING FORWARD

ITEM	DESCRIPTION	UNITS PER ASSY	TYPE	TYPE
			J-15198-1HA	J-15198-2HA
			PART NUMBER	PART NUMBER
1	Molded Assy, Top	1	00-15451-01	00-15453-01
2	Molded Assy, Bottom	1	00-15452-01	00-15454-01
3	Spacer	1	85-09415-01	00-15355-01



ENGINE TRUSS

Please refer to the aircraft's Illustrated Parts Catalog and Maintenance Manual for complete installation instructions.



HUTCHINSON®

AS J-15198-1HA&J-15198-2HA© 23/12/04

4510 Vanowen Street
Burbank, CA 91505-7710

Phone (818) 843-1000
Fax (818) 845-6978

We make it possible