

Andromeda DayLite™ 14V

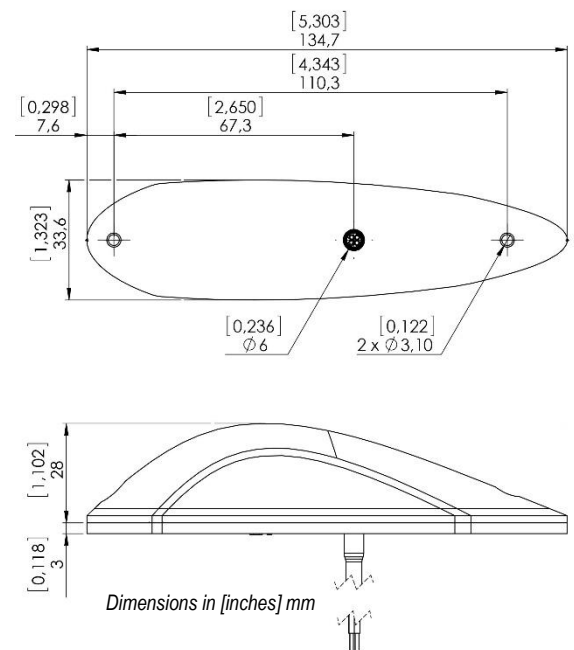
Navigation / Position / Strobe LED light



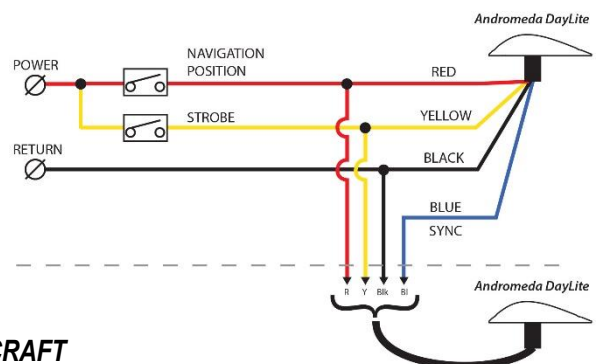
Drawing

Dimensions (mm):	134.7 x 33.6 x 28
Dimensions (inches):	5.303" x 1.323" x 1.102"
Weight:	85 g / 3 oz
Operating Voltage Range:	9 – 18 V DC
Input Current – Position / Nav - green (@14V):	0.35 A
Input Current – Position / Nav - red (@14V):	0.33 A
Input Current – Strobe (@14V):	1.65 A peak
Input Power – Position / Nav - green:	4.9 W
Input Power – Position / Nav - red:	4.62 W
Input Power – Strobe:	23.1 W peak
Repetition Rate of Strobe:	50 cycles per minute
Ambient Temperature:	from -40°C to +85°C from -40°F to +185°F
Overheat Protection:	Yes
Recommended size of mounting screw:	M3
Reverse Polarity Protection:	Yes
Transient Voltage:	50 V DC for 1s
Under-Voltage Protection:	Yes
Over-Voltage Protection:	Yes
Waterproof, Dust-proof, Vibration-proof:	Yes

Specification



Wiring Diagram



**NOT APPROVED FOR INSTALLATION ON CERTIFIED AIRCRAFT
THIS IS NOT A TSO CERTIFIED LIGHT**