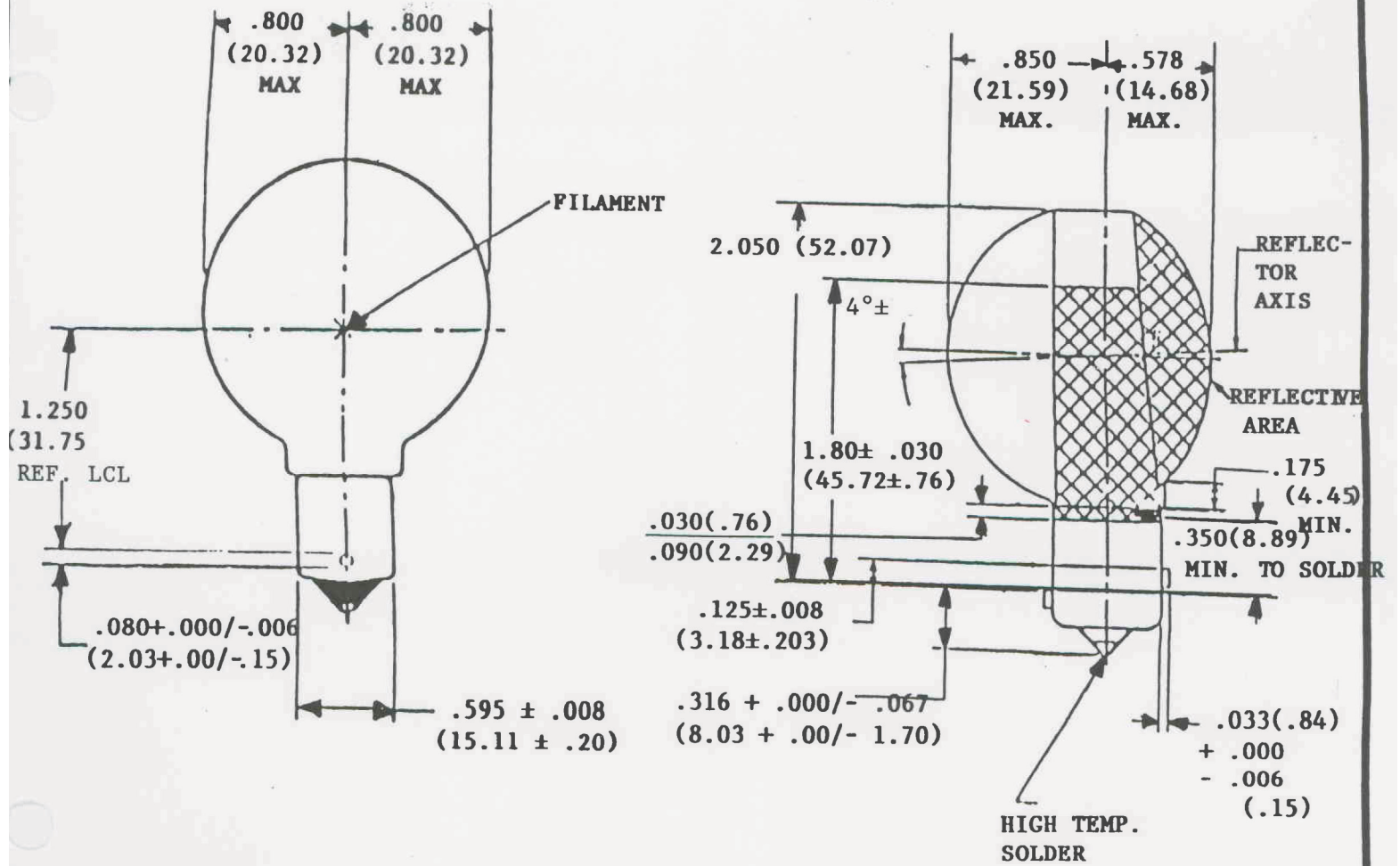


DIMENSIONAL CHARACTERISTICS -



NOTES:

4300 Min. Candlepower on reflector axis.

Horizontal and vertical beam spread to 500 candela points, 16° Min.