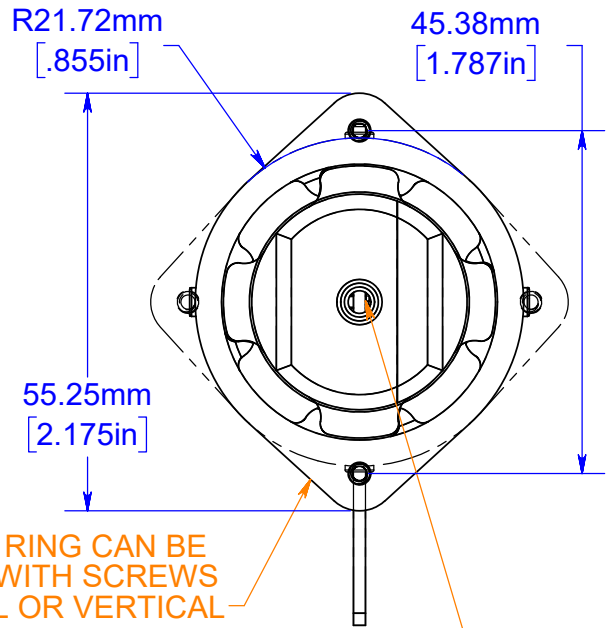
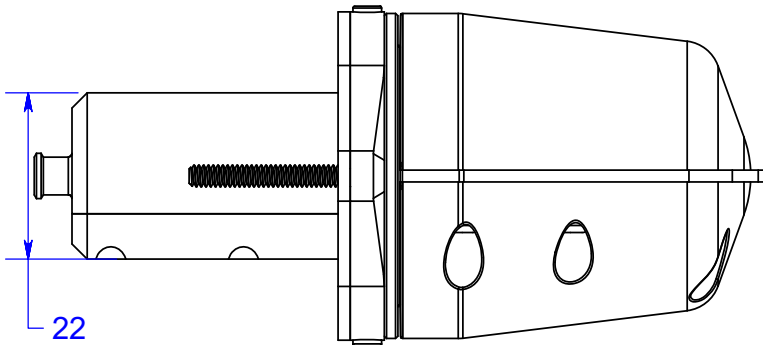
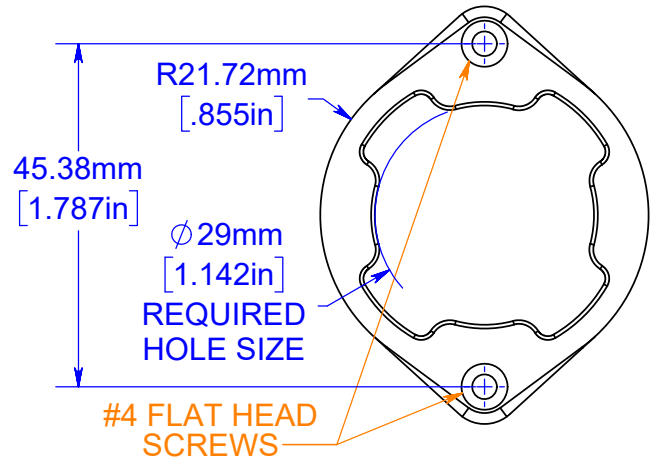


25.40mm
[1.000in]

VERIFY SCALE
AFTER PRINTING



BARO PORT
(DO NOT SEAL)

