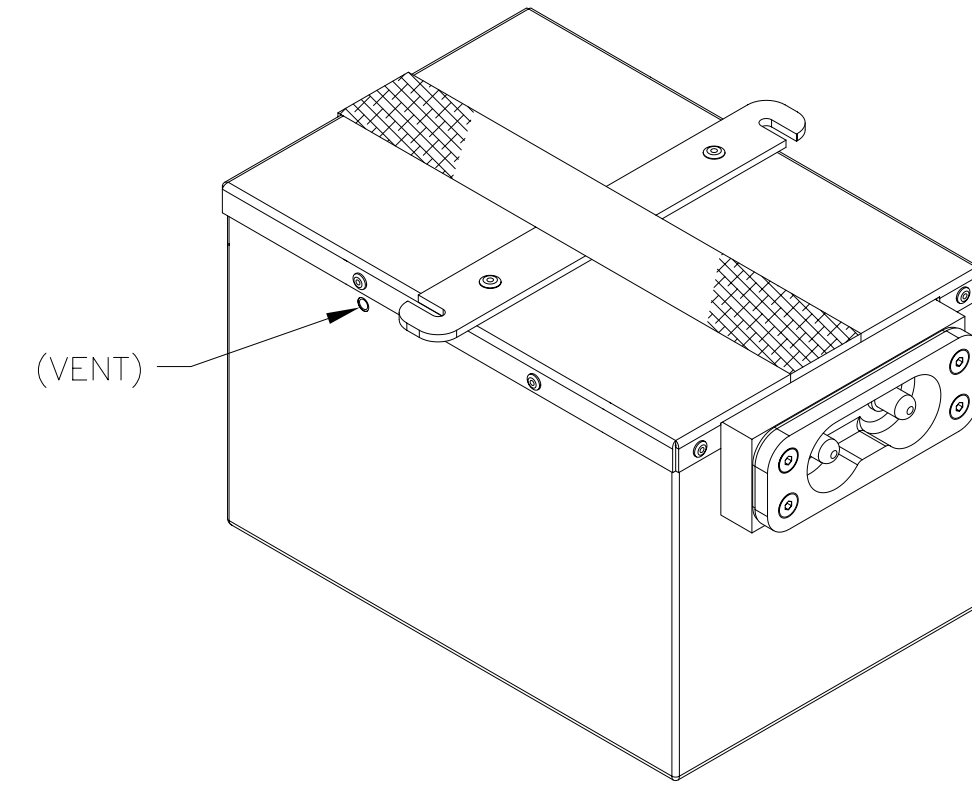
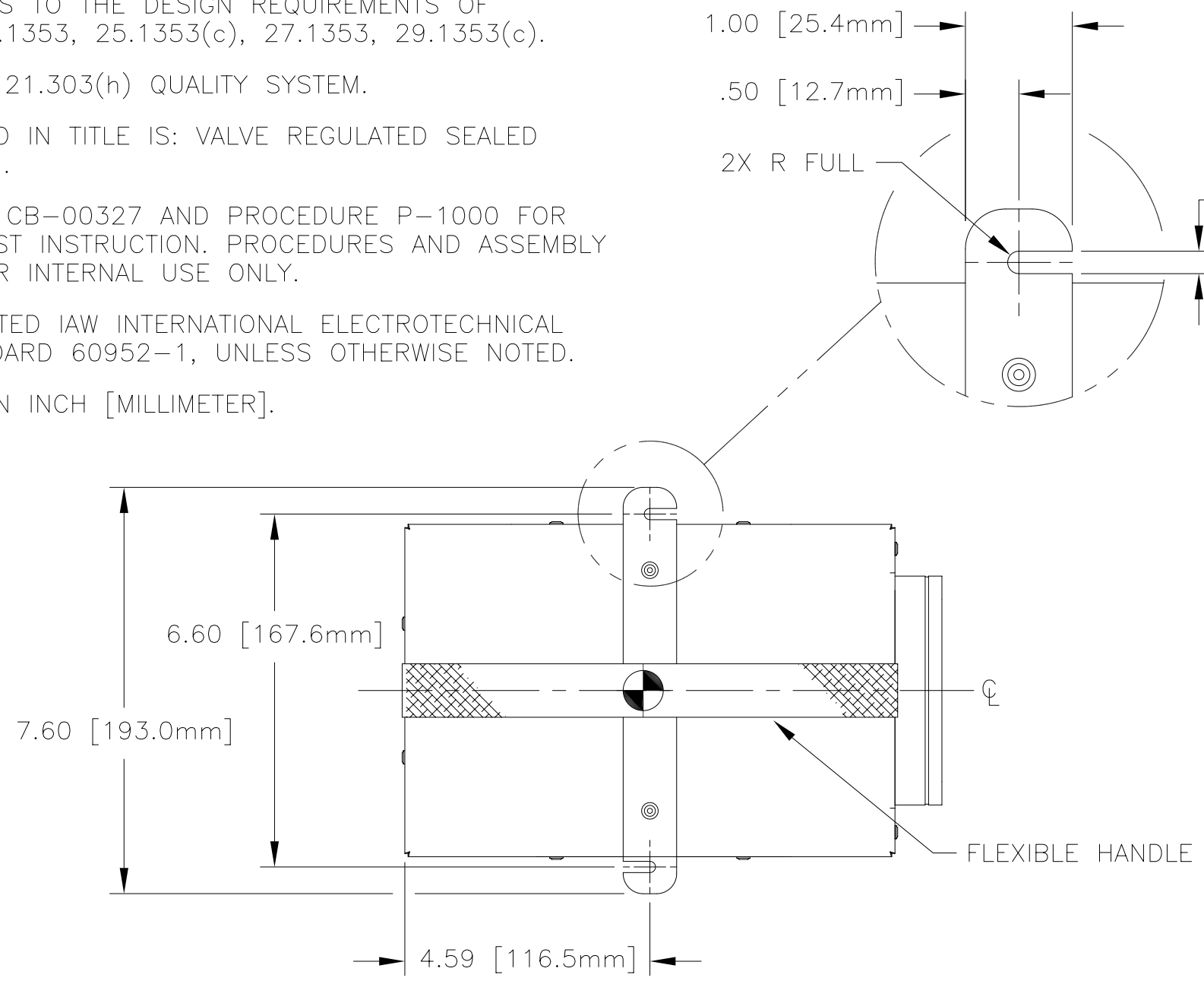


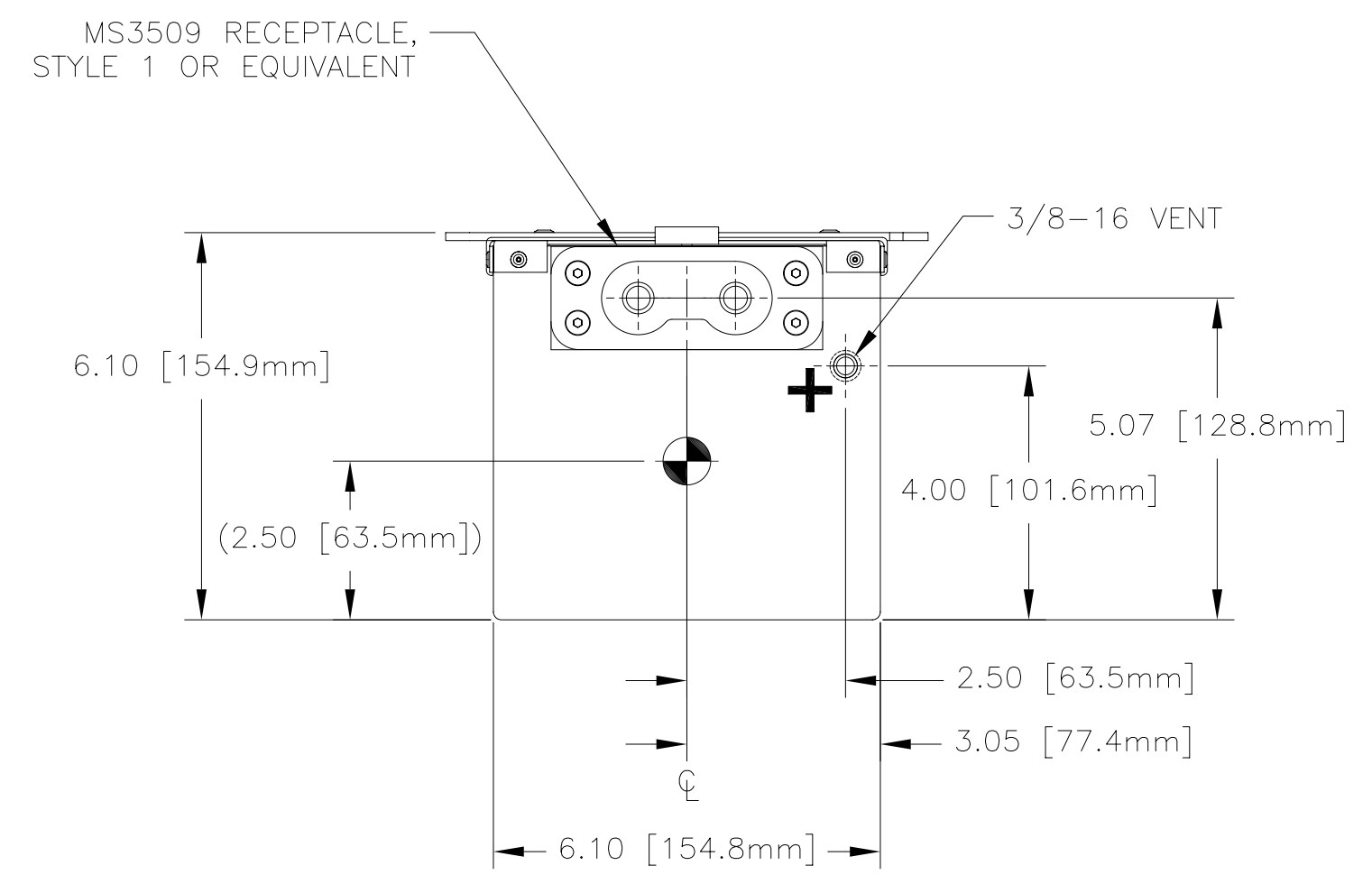
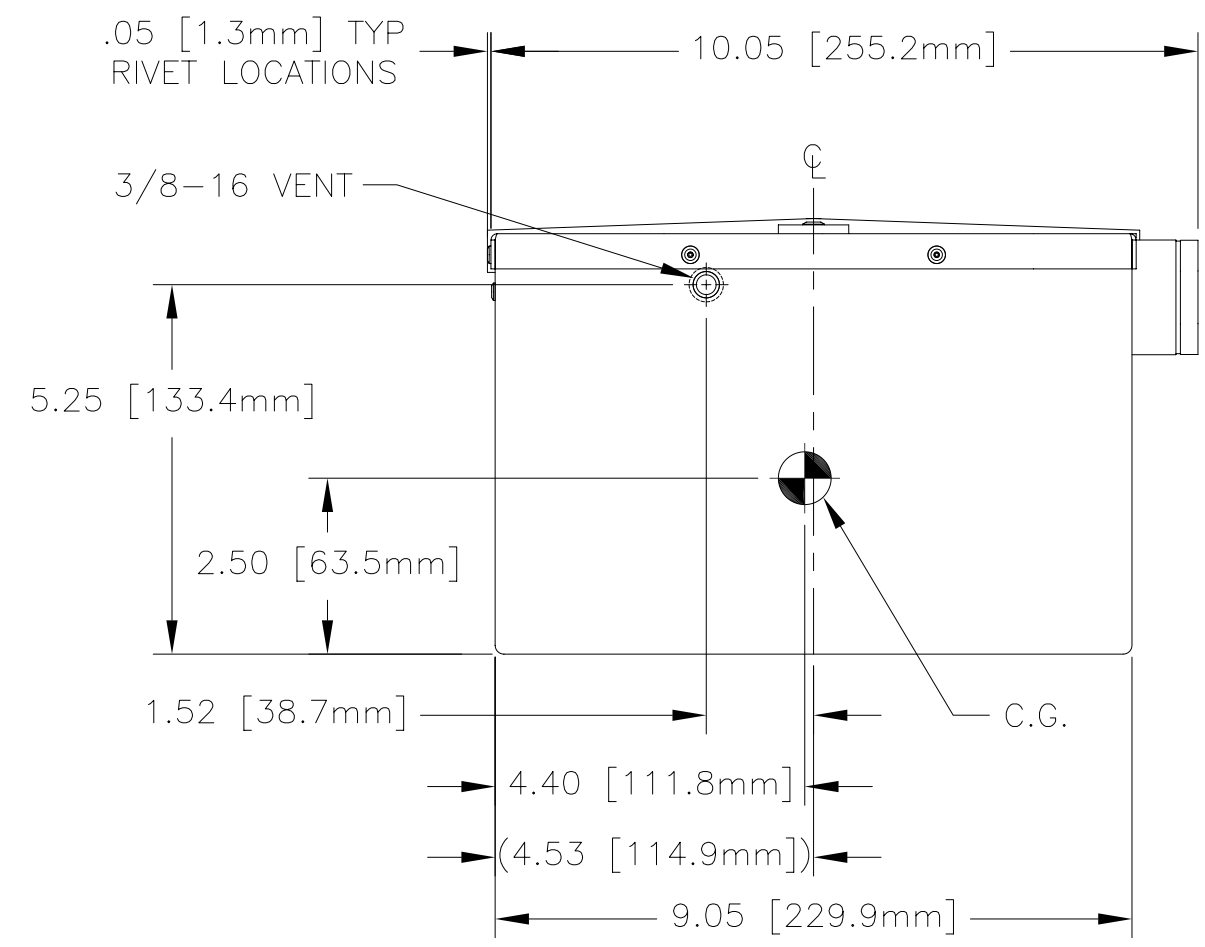
NOTES: UNLESS OTHERWISE SPECIFIED

- BATTERY CONFORMS TO THE DESIGN REQUIREMENTS OF 14 CFR PARTS 23.1353, 25.1353(c), 27.1353, 29.1353(c).
- INSPECT PER FAR 21.303(h) QUALITY SYSTEM.
- ABBREVIATION USED IN TITLE IS: VALVE REGULATED SEALED LEAD ACID (VRSLA).
- SEE DRAWING NO. CB-00327 AND PROCEDURE P-1000 FOR ASSEMBLY AND TEST INSTRUCTION. PROCEDURES AND ASSEMBLY DRAWINGS ARE FOR INTERNAL USE ONLY.
- BATTERIES ARE RATED IAW INTERNATIONAL ELECTROTECHNICAL COMMISSION STANDARD 60952-1, UNLESS OTHERWISE NOTED.
- DIMENSIONS ARE IN INCH [MILLIMETER].

REVISIONS			
REV	DESCRIPTION	DATE	APPROVED
A	ADDED C.G	5/10/05	JBT



REFERENCE VIEW



ENVELOPE DRAWING

PART NUMBER	RG-443
MAXIMUM WEIGHT	27.0 LBS [12.3 KG]
RATED CAPACITY, C ₁	11 AH
POWER RATING AT 23°C (74°F)	lpr 521 A, lpp 733 A
POWER RATING AT -18°C (0°F)	lpr 331 A, lpp 448 A
POWER RATING AT -30°C (-22°F)	lpr 204 A, lpp 313 A
INTERNAL HEATERS	NO

QTY REQD	CAGE CODE	PART OR IDENTIFYING NO.	NOMENCLATURE OR DESCRIPTION	MATERIAL SPECIFICATION	ITEM NO.
PARTS LIST					
UNLESS OTHERWISE SPECIFIED DIMENSIONS ARE IN INCHES TOLERANCES ARE:			CONCORDE BATTERY CORPORATION 2009 SAN BERNARDINO RD, W. COVINA, CA 91790		
FRACTIONS	DECIMALS	ANGLES	APPROVALS	DATE	TITLE
±1/32	.XX ±.06	±1'	DRAWN A MISTRETTA	8/6/01	BATTERY, VRSLA, 24 VOLT
	.XXX ±.030		CHECKED HRF	3/27/02	SIZE C
TREATMENT	NONE	APPROVED JBT	6/4/02	CAGE CODE 63017	DWG NO. RG-443
FINISH	NONE	ISSUED DC	5/10/05	SCALE NONE	REV A
SIMILAR TO	ACT WT	CALC WT			SHEET 1 OF 1

ENGINEERING COPY 10MAY05