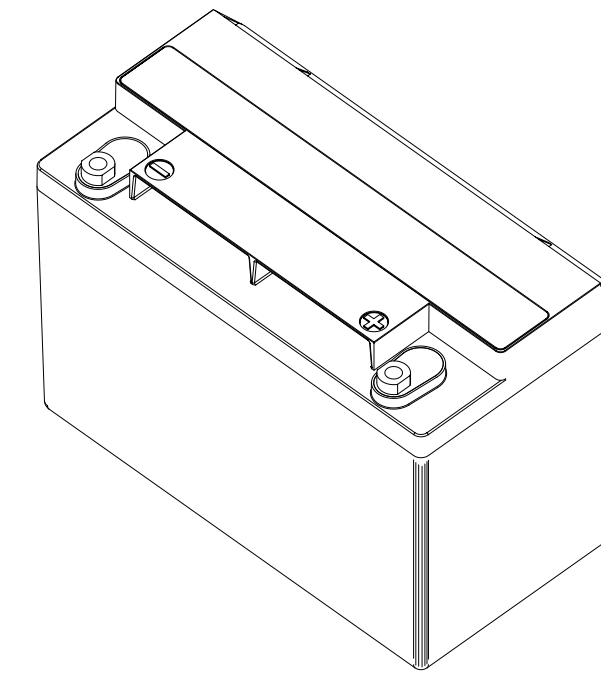
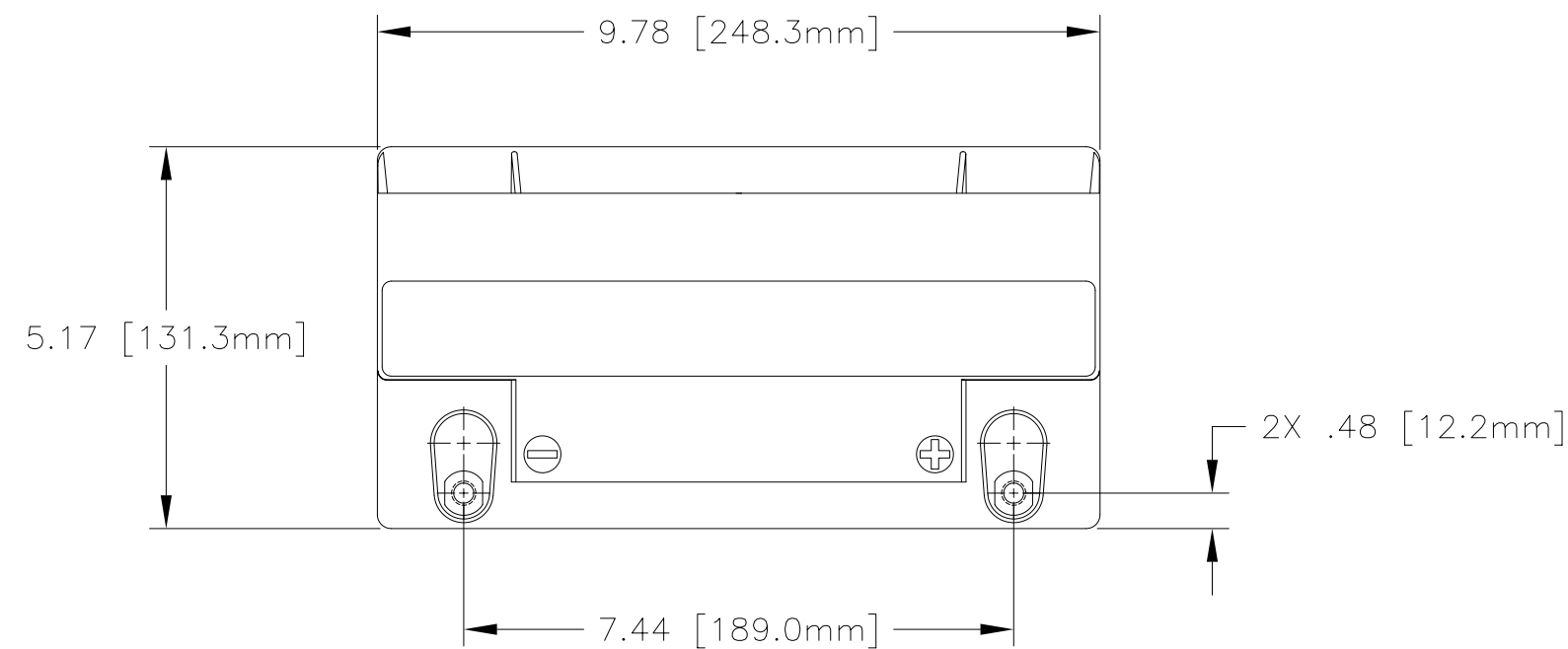


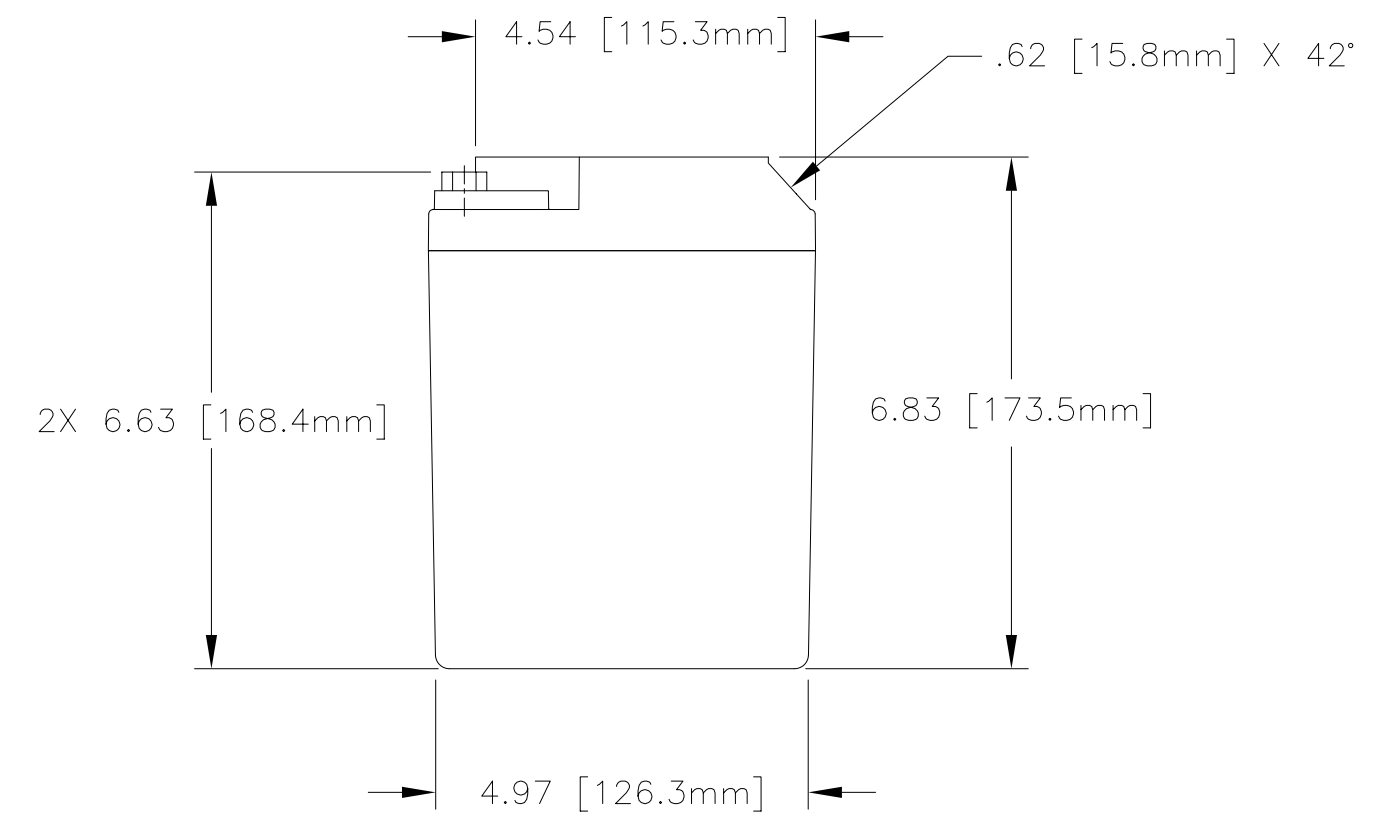
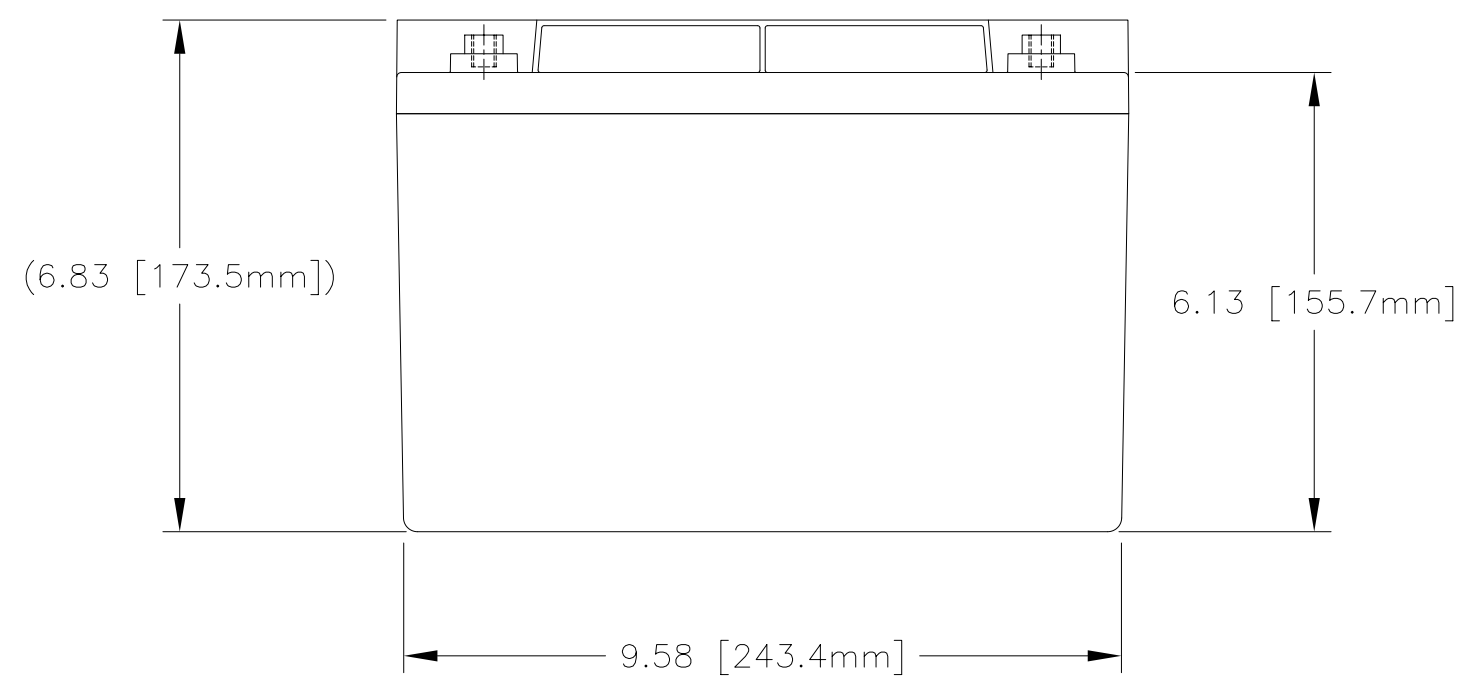
NOTES: UNLESS OTHERWISE SPECIFIED

- BATTERY CONFORMS TO THE REQUIREMENTS OF 14 CFR PART 25.1353.
- INSPECT PER FAR 21.303(h) QUALITY SYSTEM.
- ABBREVIATION USED IN TITLE IS: VALVE REGULATED SEALED LEAD ACID (VRSLA).
- SEE DRAWING NUMBER CB-00242 AND PRODUCTION INSTRUCTION PI-1000 FOR ASSEMBLY AND TEST INSTRUCTION. PRODUCTION INSTRUCTIONS AND ASSEMBLY DRAWINGS ARE FOR INTERNAL USE ONLY.
- BATTERIES ARE RATED IAW INTERNATIONAL ELECTROTECHNICAL COMMISSION STANDARD 952-1, UNLESS OTHERWISE NOTED.
- TERMINAL HARDWARE KIT (CBC PN 9586) CONTAINS M8 HEX HEAD SCREWS AND CONICAL WASHERS.

REVISIONS			
REV	DESCRIPTION	DATE	APPROVED
A	ADDED 42° CHAMFER TO COVER	1/8/99	JBT
B	REVISED CAPACITY RATES	11/17/99	JBT



REFERENCE VIEW



ENVELOPE DRAWING

PART NUMBER	RG-35A	RG-35AXC
MAXIMUM WEIGHT	29.5 LBS [13.4 KG]	32 LBS [14.5 KG]
RATED CAPACITY, C ₁	29 AH	33 AH
POWER RATING AT 23°C	lpr 898 A, lpp 1323 A	lpr 1016 A, lpp 1343 A
POWER RATING AT -18°C	lpr 581 A, lpp 1247 A	lpr 718 A, lpp 1297 A
POWER RATING AT -30°C	lpr 407 A, lpp 1010 A	lpr 532 A, lpp 1040 A

QTY REQD	CAGE CODE	PART OR IDENTIFYING NO.	NOMENCLATURE OR DESCRIPTION	MATERIAL SPECIFICATION	ITEM NO.
PARTS LIST					
UNLESS OTHERWISE SPECIFIED DIMENSIONS ARE IN INCHES TOLERANCES ARE:		CONTRACT NO.		CONCORDE BATTERY CORPORATION	
FRACTIONS DECIMALS ANGLES		APPROVALS		2009 SAN BERNARDINO RD, W. COVINA, CA 91790	
.XX ± .06		DRAWN A MISTRETTA		BATTERY, VRSLA, 12 VOLT,	
.XXX ± .060		CHECKED AMIII		RG-35A SERIES	
TREATMENT	NONE	APPROVED	JBT	SIZE	CAGE CODE
FINISH	NONE	ISSUED	DR	C	63017
SIMILAR TO	ACT WT	CALC WT	11/23/99	DWG NO.	RG-35A
				SCALE	1=2.5
				SHEET	1 OF 1

ENGINEERING COPY 23NOV99