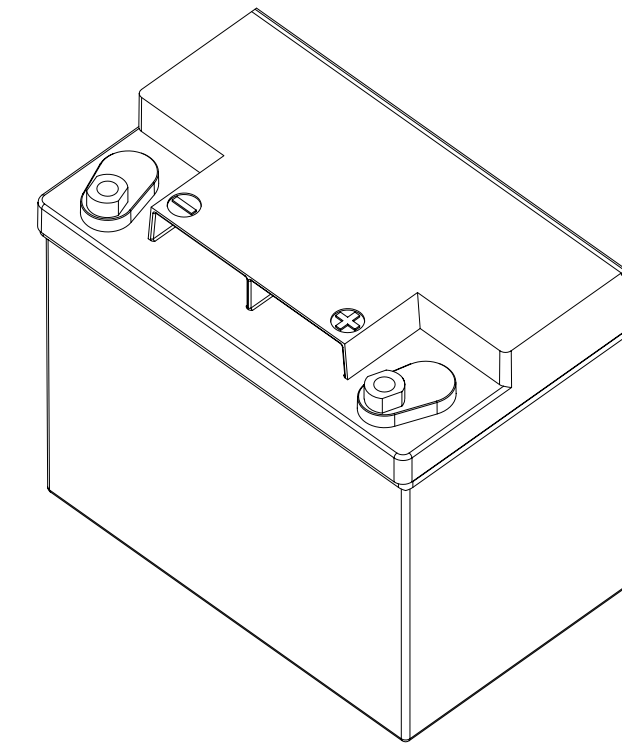
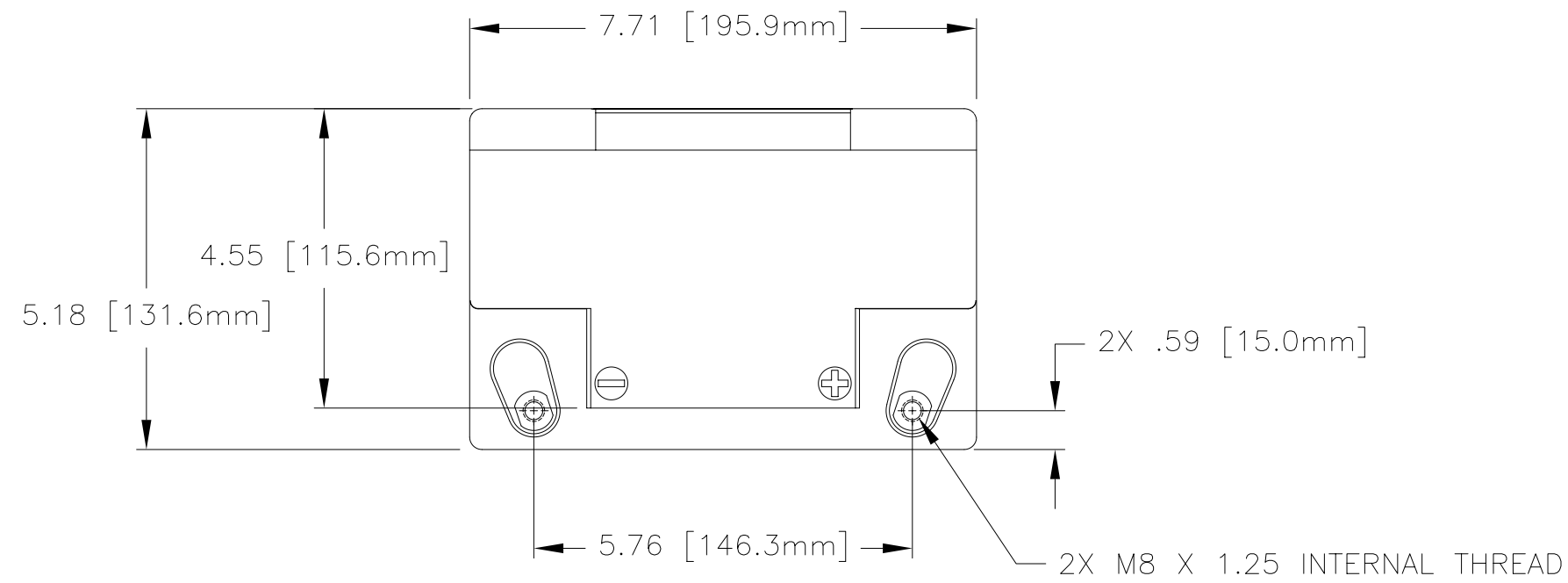


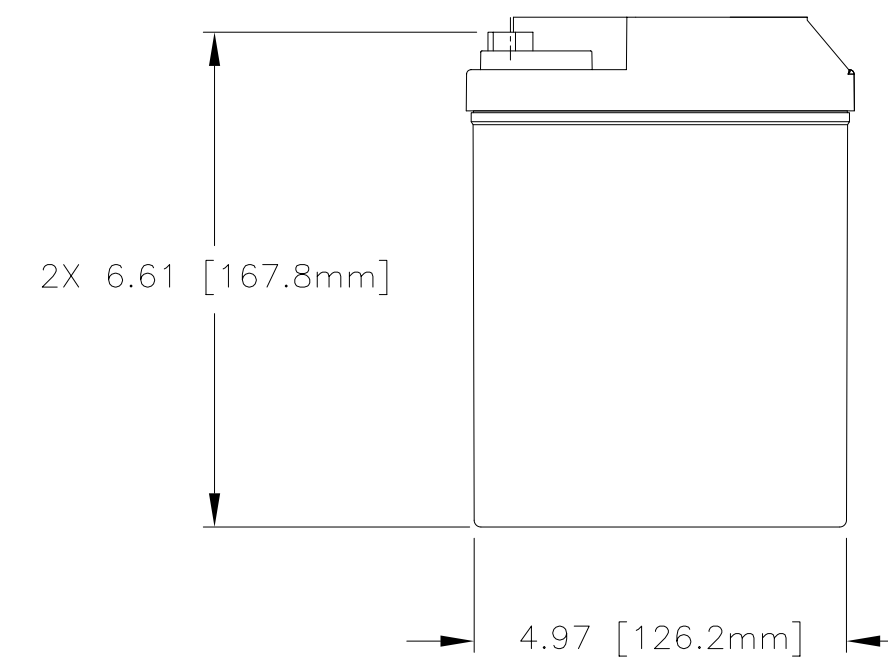
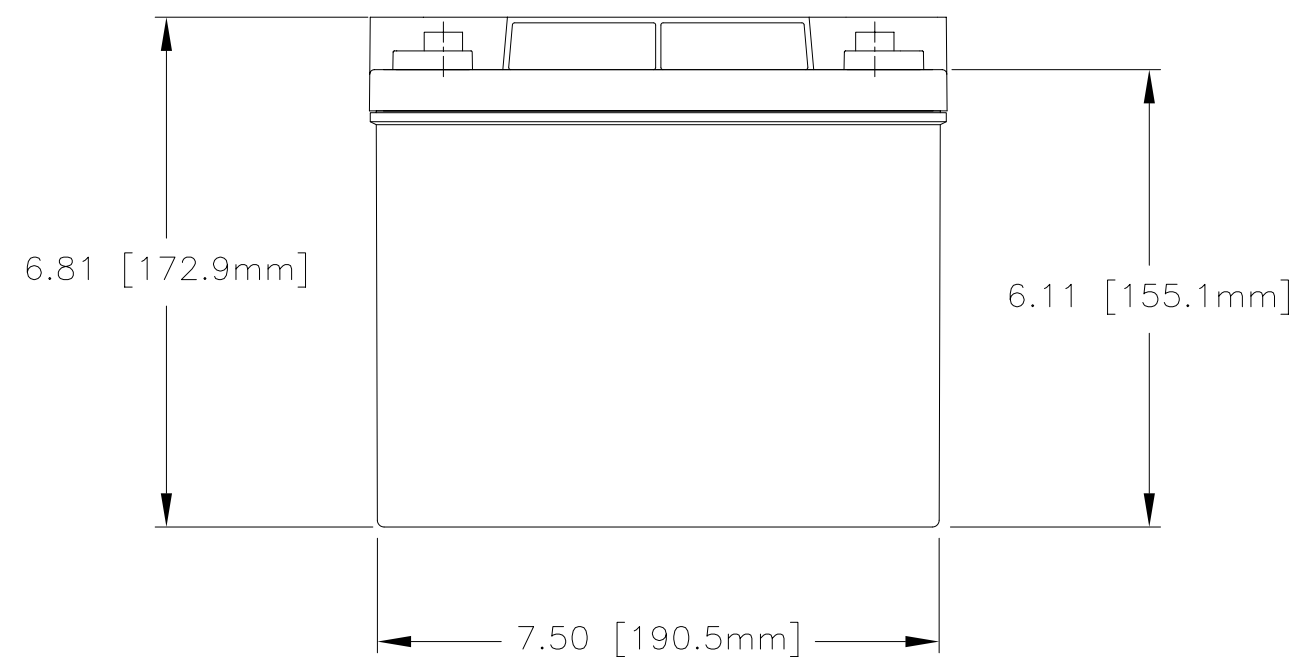
NOTES: UNLESS OTHERWISE SPECIFIED

- BATTERY CONFORMS TO THE DESIGN REQUIREMENTS OF 14 CFR PART 25.1353(c).
- INSPECT PER FAR 21.303(h) QUALITY SYSTEM.
- ABBREVIATION USED IN TITLE IS: VALVE REGULATED SEALED LEAD ACID (VRSLA).
- RECOMMENDED SUBSTITUTE FOR OBSOLETE PN RG 25M (AC 54).
- TERMINAL HARDWARE KIT (CBC PN 9586) CONTAINS M8 HEX HEAD SCREWS AND CONICAL WASHERS.
- SEE DRAWING NO. CB-00212 AND PROCEDURE P-1000 FOR ASSEMBLY AND TEST INSTRUCTION. PROCEDURES AND ASSEMBLY DRAWINGS ARE FOR INTERNAL USE ONLY.
- BATTERIES ARE RATED IAW INTERNATIONAL ELECTROTECHNICAL COMMISSION STANDARD 952-1, UNLESS OTHERWISE NOTED.

REVISIONS			
REV	DESCRIPTION	DATE	APPROVED
G	REVISED BATTERY COVER	4/30/99	MK
H	CHANGED XC RATED CAPACITY FROM 26 AH TO 24 AH	7/5/99	JBT
J	REVISED RG-25XC WEIGHT FROM 23.0 TO 23.5	11/15/99	JBT



REFERENCE VIEW



PART NUMBER	RG-25	RG-25XC
MAXIMUM WEIGHT	22.75 LBS [10.3 KG]	23.5 LBS [10.7 KG]
RATED CAPACITY, C ₁	22 AH	24 AH
POWER RATING AT 23°C	lpr 508 A, lpp 1278 A	lpr 597 A, lpp 846 A
POWER RATING AT -18°C	lpr 250 A, lpp 1254 A	lpr 375 A, lpp 536 A
POWER RATING AT -30°C	lpr 145 A, lpp 854 A	lpr 257 A, lpp 494 A

ENVELOPE DRAWING

QTY REQD	CAGE CODE	PART OR IDENTIFYING NO.	NOMENCLATURE OR DESCRIPTION	MATERIAL SPECIFICATION	ITEM NO.
PARTS LIST					
UNLESS OTHERWISE SPECIFIED DIMENSIONS ARE IN INCHES TOLERANCES ARE:		CONTRACT NO.		CONCORDE BATTERY CORPORATION	
FRACTIONS DECIMALS ANGLES		APPROVALS		2009 SAN BERNARDINO RD, W. COVINA, CA 91790	
.XX ± .06		DRAWN D.B.		TITLE BATTERY, VRSLA, 12 VOLT, RG-25 SERIES	
.XXX ± .060		CHECKED DG		DATE 7/1/91	
TREATMENT NONE		APPROVED DG		DATE 7/1/91	
FINISH NONE		ISSUED DR		DATE 11/15/99	
SIMILAR TO		ACT WT		CALC WT	
SCALE NONE		SHEET 1 OF 1		DWG NO. RG-25	
CAGE CODE 63017		REV J		SIZE C	

ENGINEERING COPY 15NOV99

The data/information contained herein has been reviewed and approved for general release on the basis that this document contains no export-controlled information.