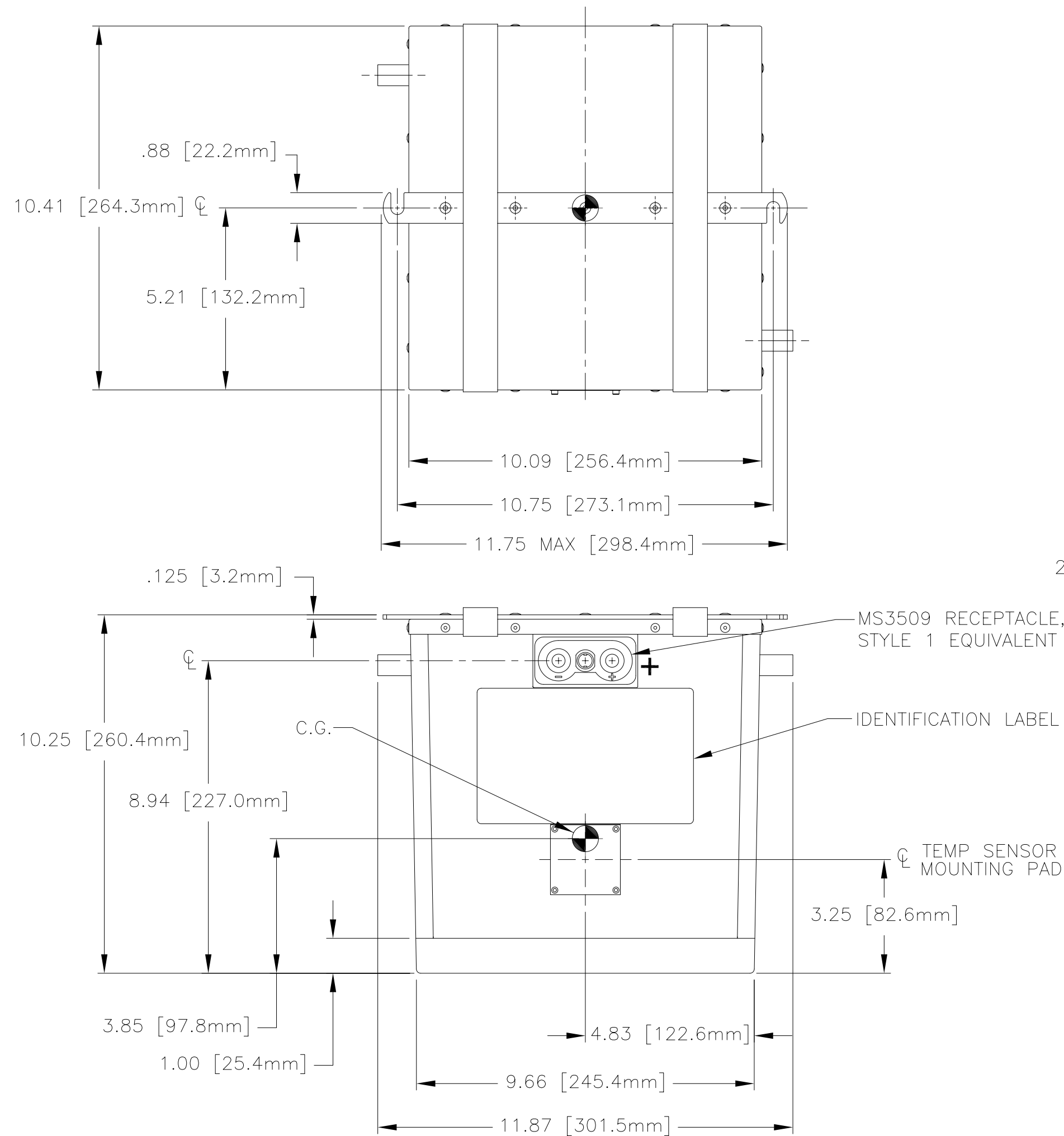


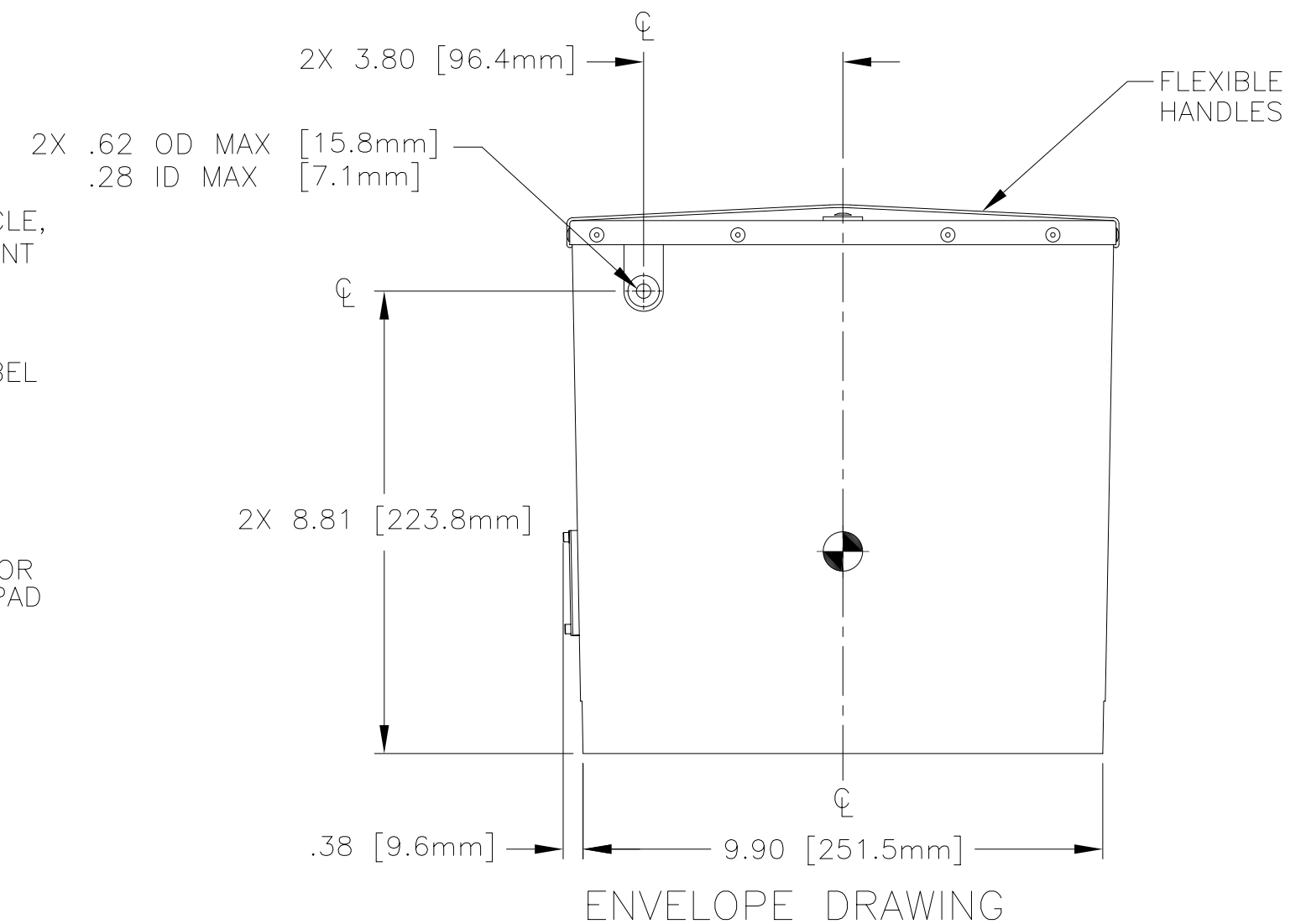
NOTES: UNLESS OTHERWISE SPECIFIED

REVISIONS			
REV	DESCRIPTION	DATE	APPROVED
B	REDRAWN & REISSUED FOR TSO	3/19/09	JBT

- ABBREVIATION USED IN TITLE IS: VALVE REGULATED SEALED LEAD ACID (VRSLA).
- BATTERY CONFORMS TO THE DESIGN REQUIREMENTS OF 14 CFR PARTS 23.1353, 25.1353(c), 27.1353, 29.1353(c).
- MANUFACTURED AND INSPECTED IAW AS9100 QUALITY SYSTEM REQUIREMENTS.
- "L" SUFFIX DENOTES A "FIRE RESISTANT" EXTERNAL CONTAINER CONSTRUCTED OF 5052 ALUMINUM ALLOY. "LS" SUFFIX DENOTES A "FIRE PROOF" EXTERNAL CONTAINER CONSTRUCTED OF STAINLESS STEEL.
- SEE DRAWING NUMBER CB-00224 AND PROCEDURE P-1000 FOR ASSEMBLY AND TEST INSTRUCTIONS. PROCEDURES AND ASSEMBLY DRAWINGS ARE FOR INTERNAL USE ONLY.
- BATTERIES ARE RATED IAW INTERNATIONAL ELECTROTECHNICAL COMMISSION STANDARD 60952-1 AND RTCA STANDARD D0-293, UNLESS OTHERWISE NOTED.
- DIMENSIONS ARE IN INCH [MILLIMETER].
- BATTERY MAY BE FITTED WITH CONCORDE TS-XX SERIES TEMPERATURE SENSOR.



PART NUMBER	RG-380E/60L	RG-380E/60LS
MAXIMUM WEIGHT	96 LBS [43.6 KG]	98 LBS [44.5 KG]
RATED CAPACITY, C ₁	48 AH	
POWER RATING AT 23°C	I _{pp} 1600 A, I _{pr} 1200 A	
POWER RATING AT -18°C	I _{pp} 1200 A, I _{pr} 950 A	
POWER RATING AT -30°C	I _{pp} 900 A, I _{pr} 700 A	



QTY	REQD	CAGE CODE	PART OR IDENTIFYING NO.	NOMENCLATURE OR DESCRIPTION	MATERIAL SPECIFICATION	ITEM NO.
PARTS LIST						
UNLESS OTHERWISE SPECIFIED DIMENSIONS ARE IN INCHES TOLERANCES ARE:				CONTRACT NO.		
FRACTIONS DECIMALS ANGLES				CONCORDE BATTERY CORPORATION		
± 1/32° .XX ± .06 ± 1°				2009 SAN BERNARDINO RD, W. COVINA, CA 91790		
.XXX ± .030				TITLE BATTERY, VRSLA, 24 VOLT, RG-380E/60L(S) SERIES		
TREATMENT		NONE		APPROVALS		DATE
FINISH		NONE		DRAWN A. MISTRETTA		5/15/08
SIMILAR TO		ACT WT		CHECKED AMIII		3/18/09
		CALC WT		APPROVED JBT		3/19/09
				ISSUED NS		3/20/09
				SCALE NONE		
				SIZE C		CAGE CODE 63017
				DWG NO. RG-380E/60L		REV B
				SHEET 1 OF 1		1