

ComDat XM • CI 420-1

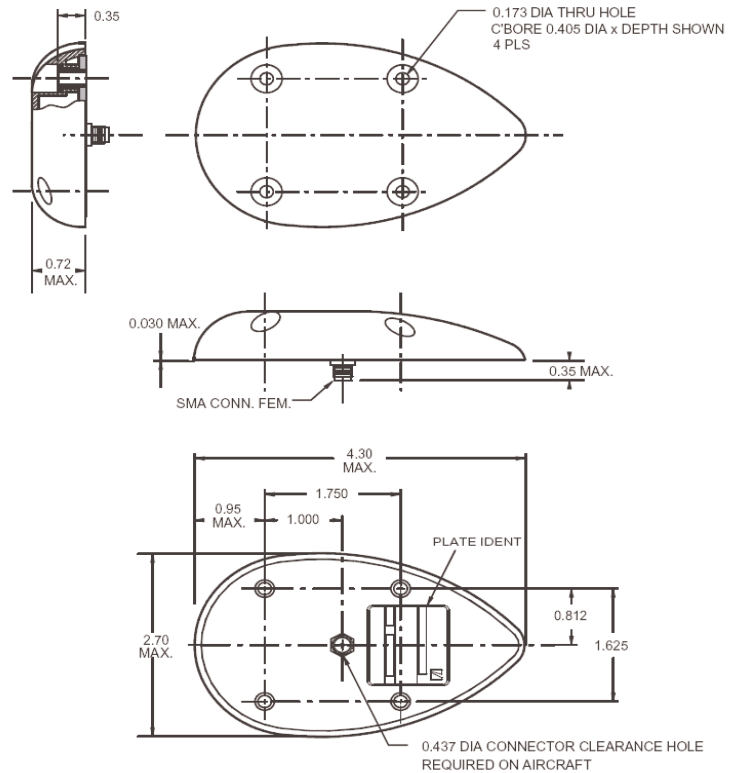
Frequency • 2332.5 - 2345.0 MHz XM

The CI 420-1 is a stand-alone XM approved antenna that operates with Garmin®, Avidyne®, Heads Up Technologies®, and WeatherWorx® weather data systems in the popular “teardrop” shape. This same antenna will also operate popular XM based music systems.

This antenna has been tested under the most rigorous conditions as outlined by RTCA DO-160D. Matches footprint of Garmin’s GA56, Honeywell’s KA92 and Comant’s CI 405 Series.



MODEL	CI 420-1
XM Active Amplifier Characteristics	
Frequency	2332.5 to 2345.0 MHz
VSWR	1.5:1 Maximum
Polarization	LHCP
Radiation Pattern	Hemispherical
Impedance	50 Ohms Output (Nominal)
Active Gain	30 to 34dB
DC Voltage	4 to 24 VDC
DC Current	25mA Minimum / 55mA Maximum
Noise Figure	2.7dB Maximum
Mechanical / Environmental	
Speed / Altitude	330 KIAS Maximum @ Sea Level
RTCA Environmental	DO-160D
Environmental Cat.	[F2X]ACB[S(L)T(C,C1,R)]XRFD XSXXXX[XX]X[XXXX][1B]CX
FAA TSO	TSO not available for frequency
RTCA MOPS	Not applicable
ORDER OPTIONS	
Connector	
XM Port	SMA
Color / Gasket	
Color	White



Warning: Drawing not to scale. Use factory supplied drawings and specifications for installation. Call Comant for updated drawings.